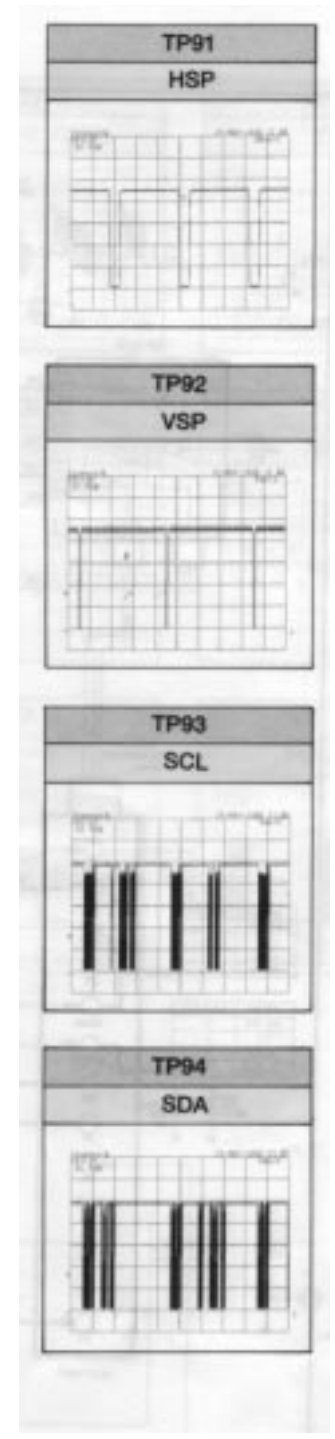
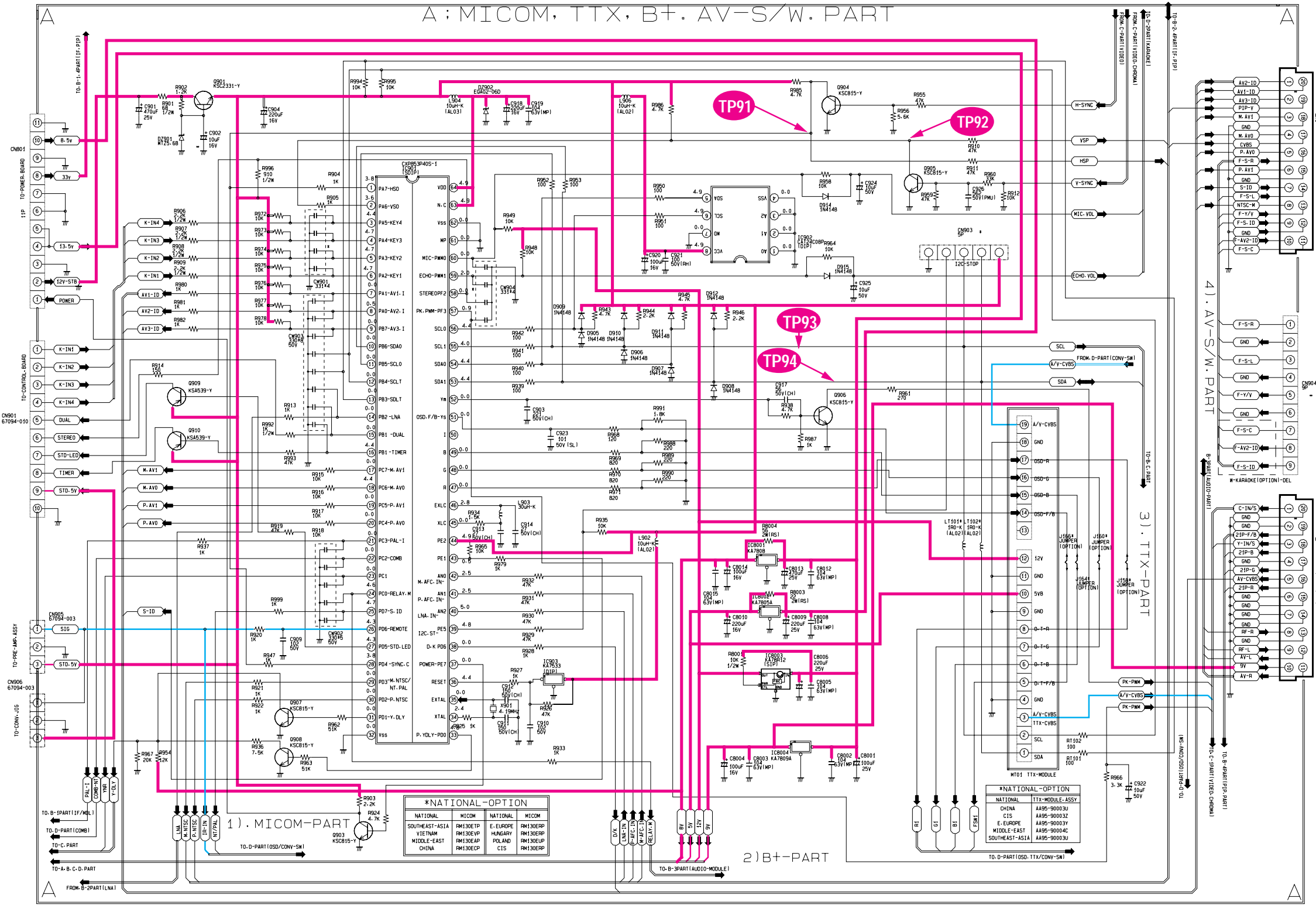


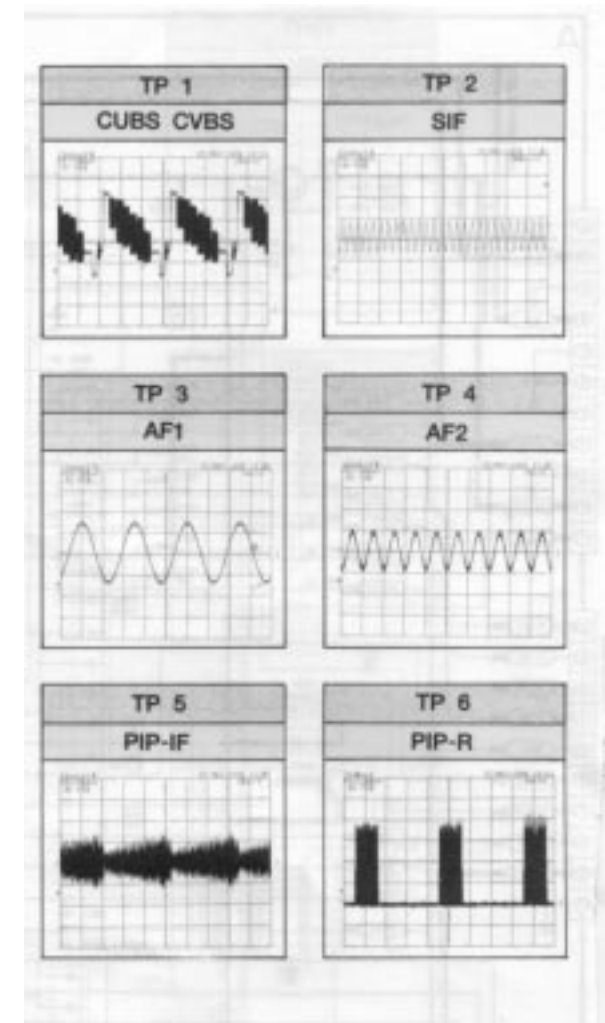
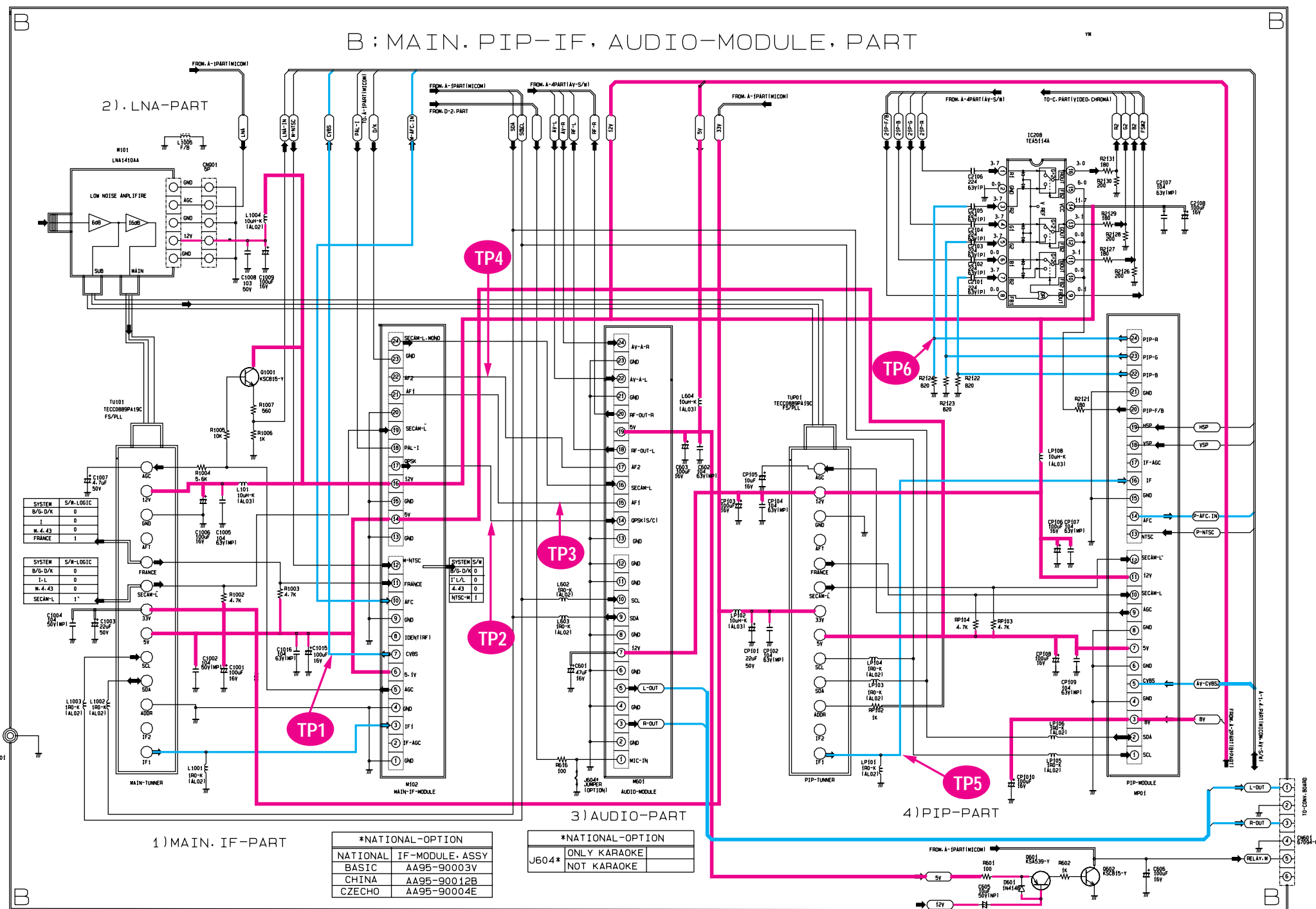
12. Schematic Diagrams

12-1 SIGNAL (MICOM, TTX, B+, AV-S/W)



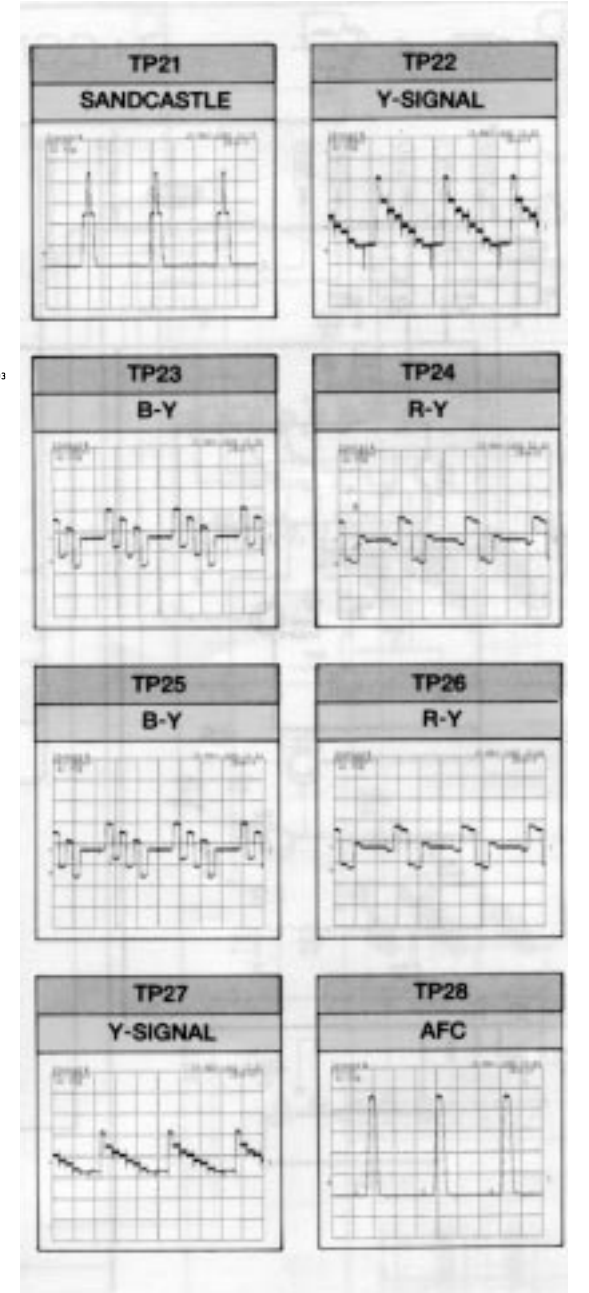
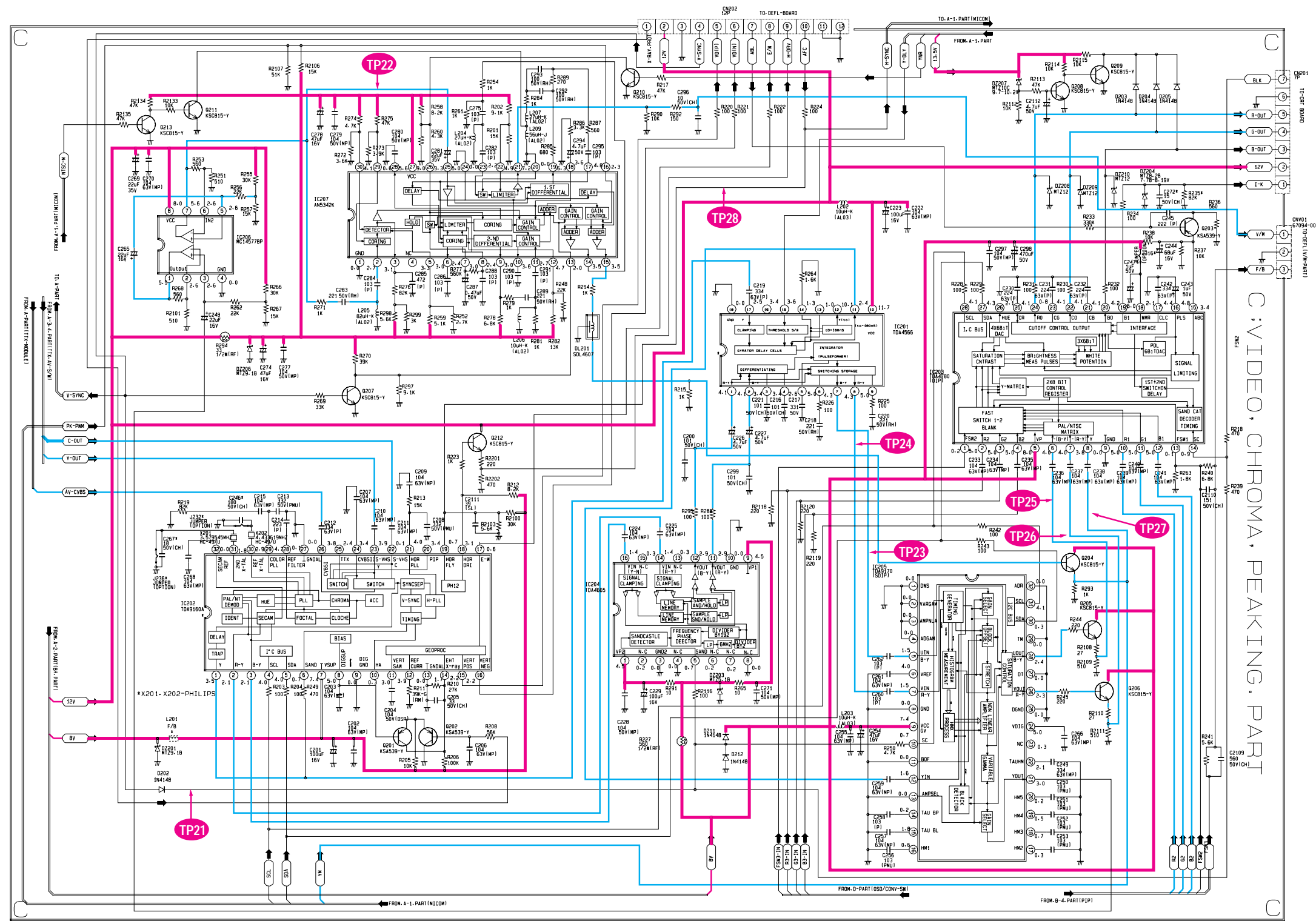
— : Power Line
 — : Signal Line

12-2 SIGNAL(PIP-IF, AUDIO-MODULE)



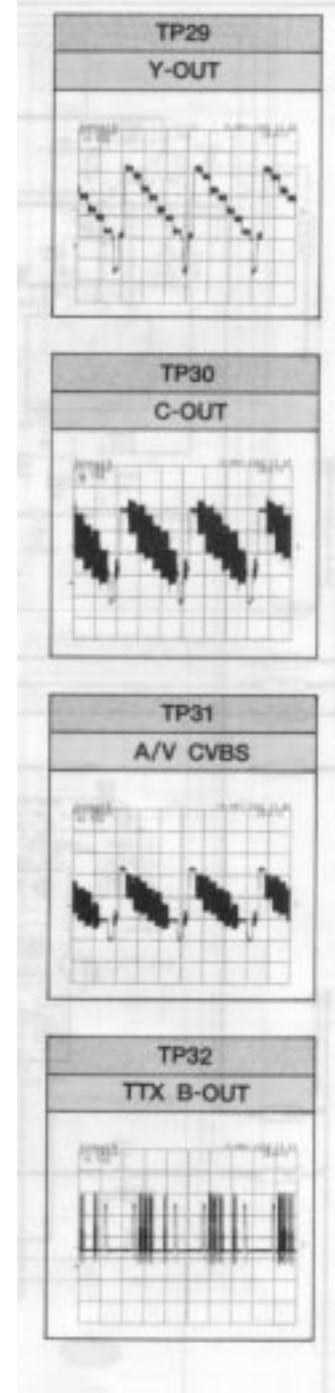
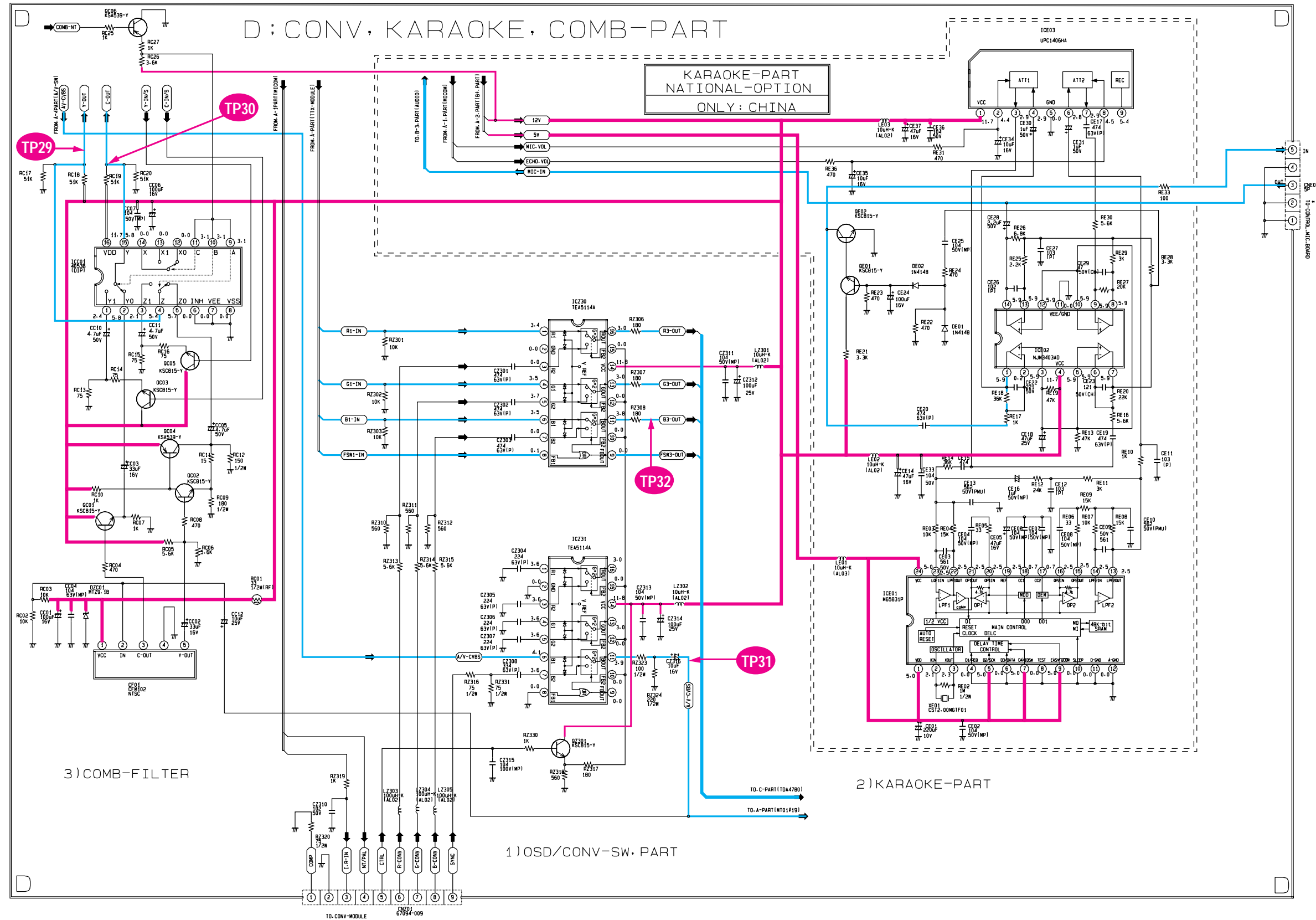
— : Power Line
— : Signal Line

12-3 SIGNAL (VIDEO, CHROMA, PEAKING)

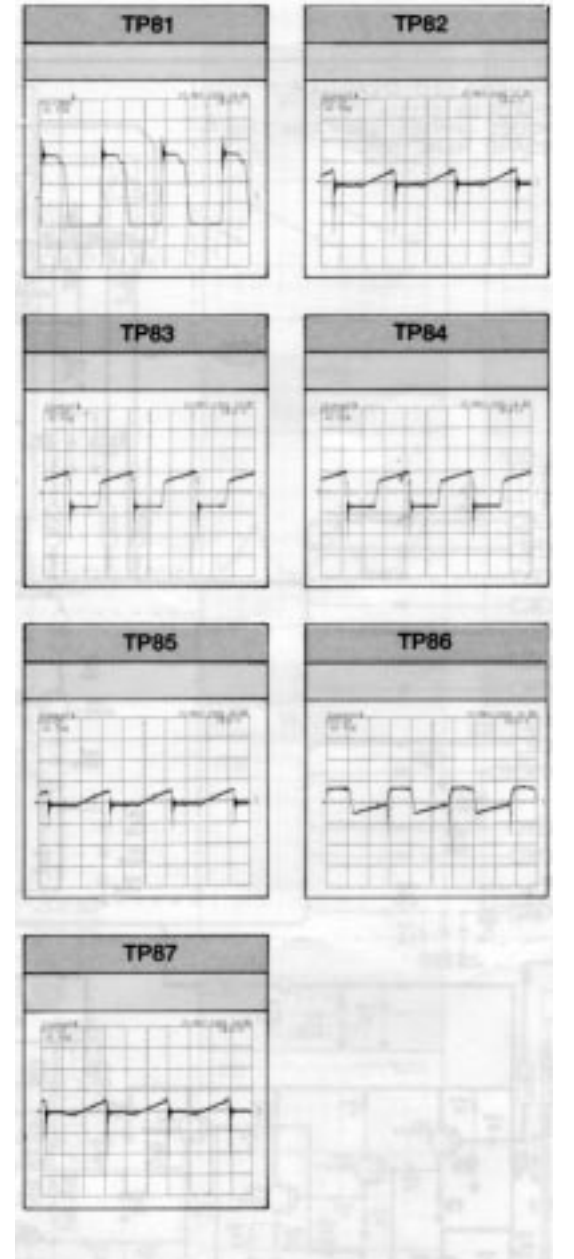
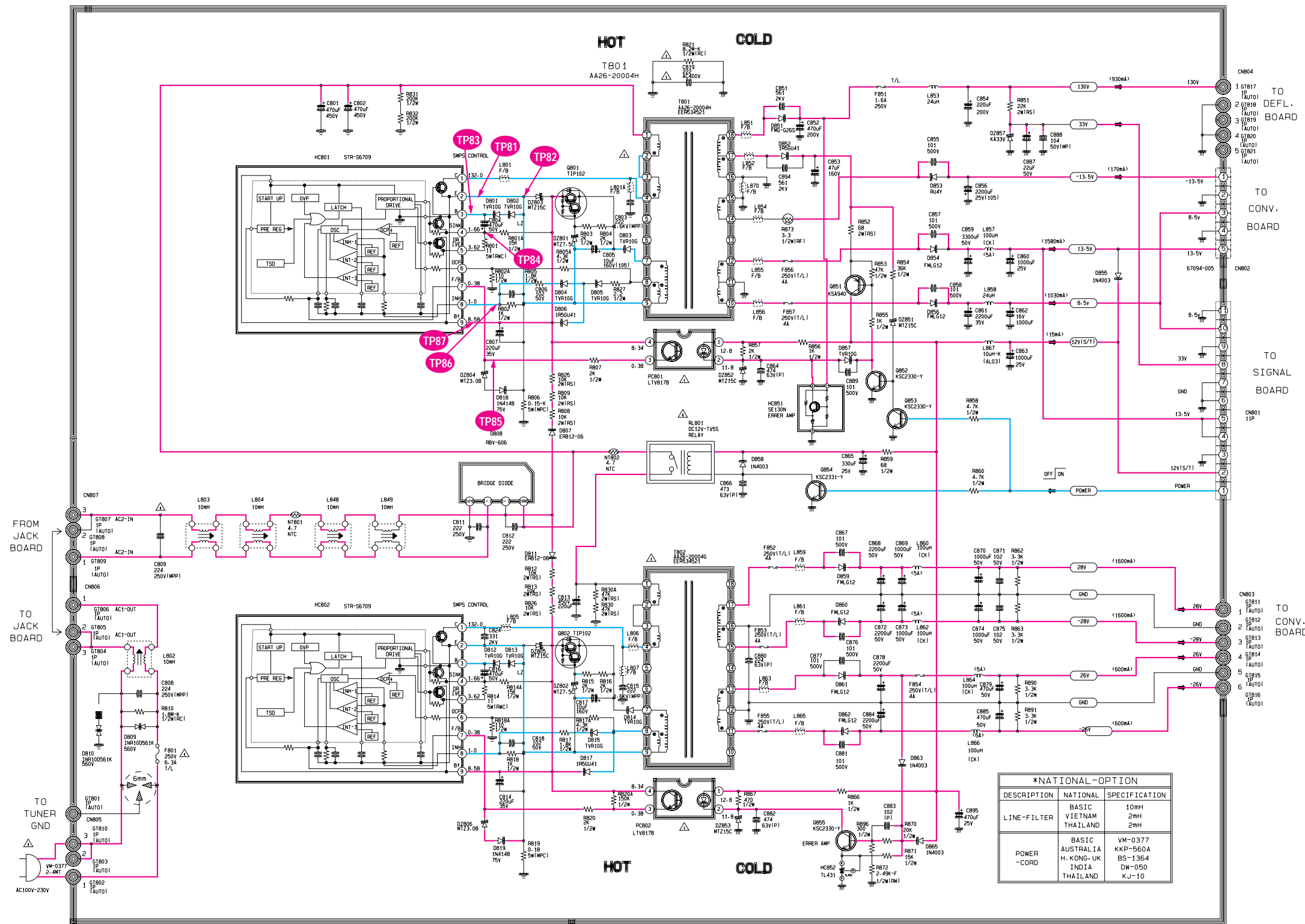


— : Power Line
 — : Signal Line

12-4 SIGNAL (CONV, KARAOKE, COMB-PART)



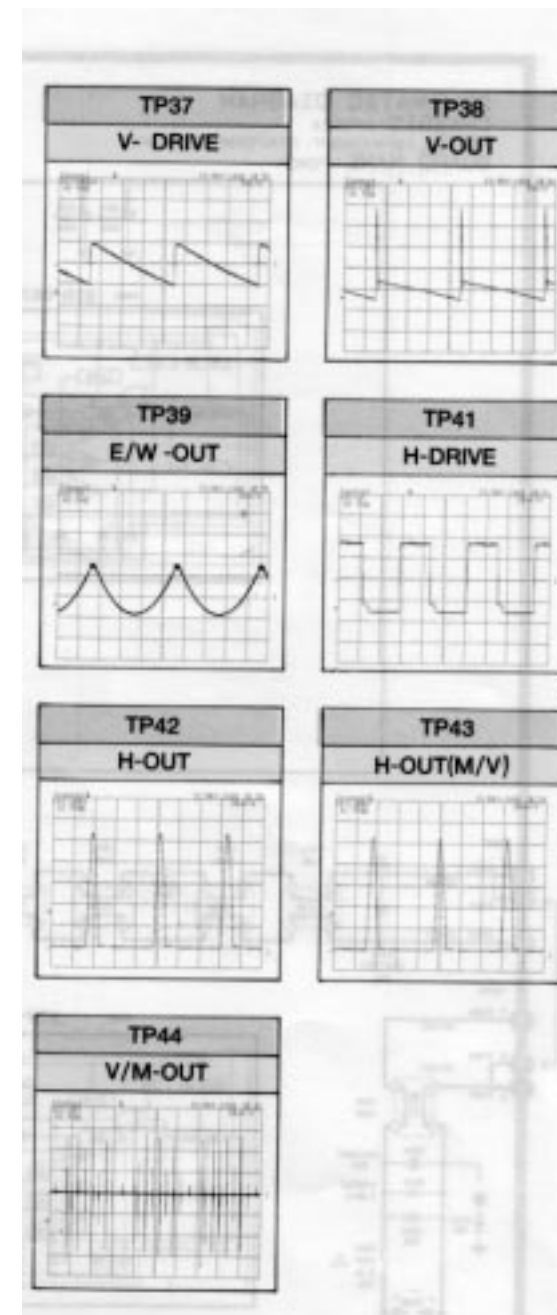
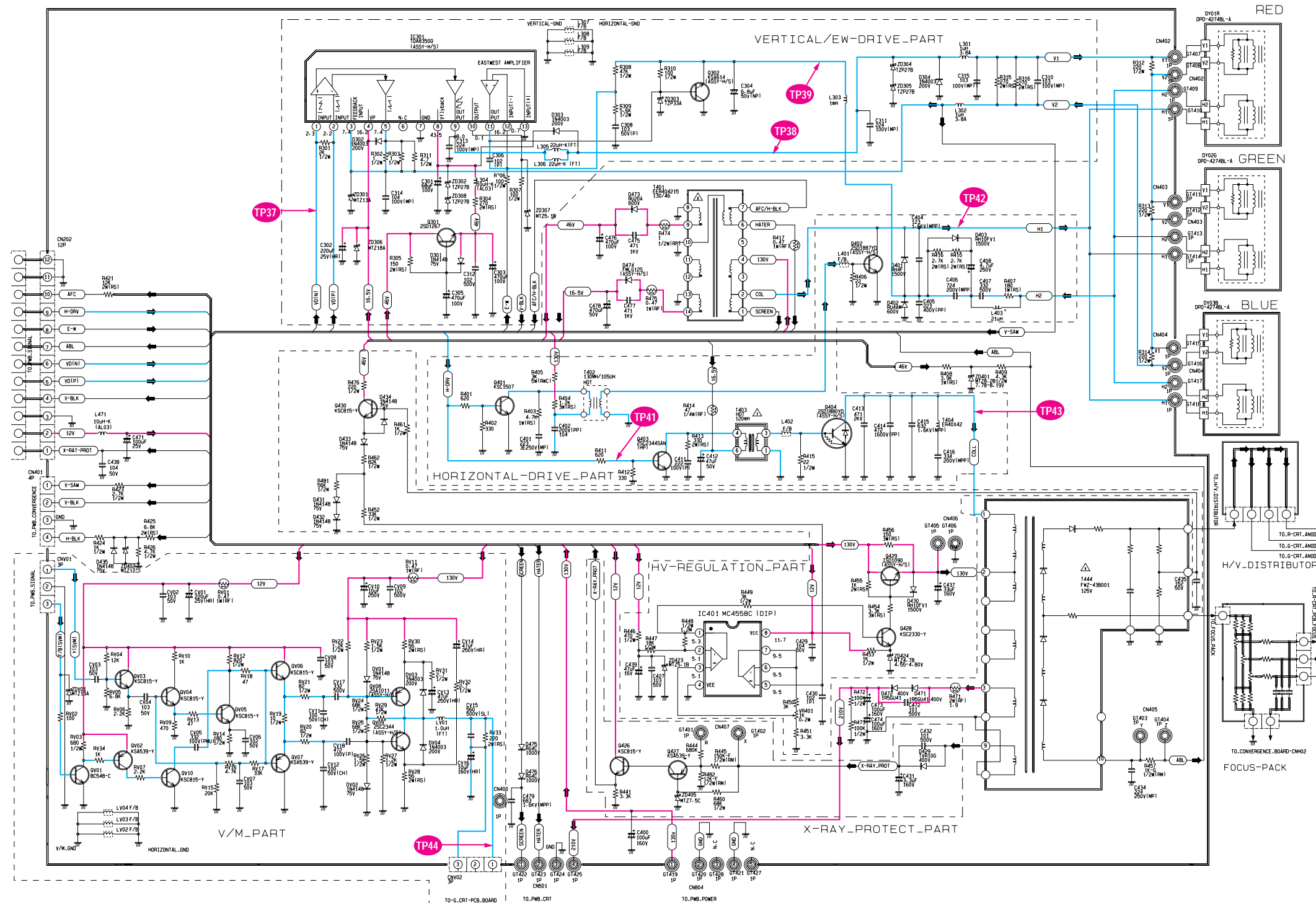
12-5 POWER



*NATIONAL-OPTION		
DESCRIPTION	NATIONAL	SPECIFICATION
LINE-FILTER	BASIC	10mH
	VIETNAM	2mH
	THAILAND	2mH
POWER-CORD	BASIC	VM-0377
	AUSTRALIA	KKP-560A
	H. KONG-UK	BS-1364
	INDIA	DW-050
	THAILAND	KJ-10

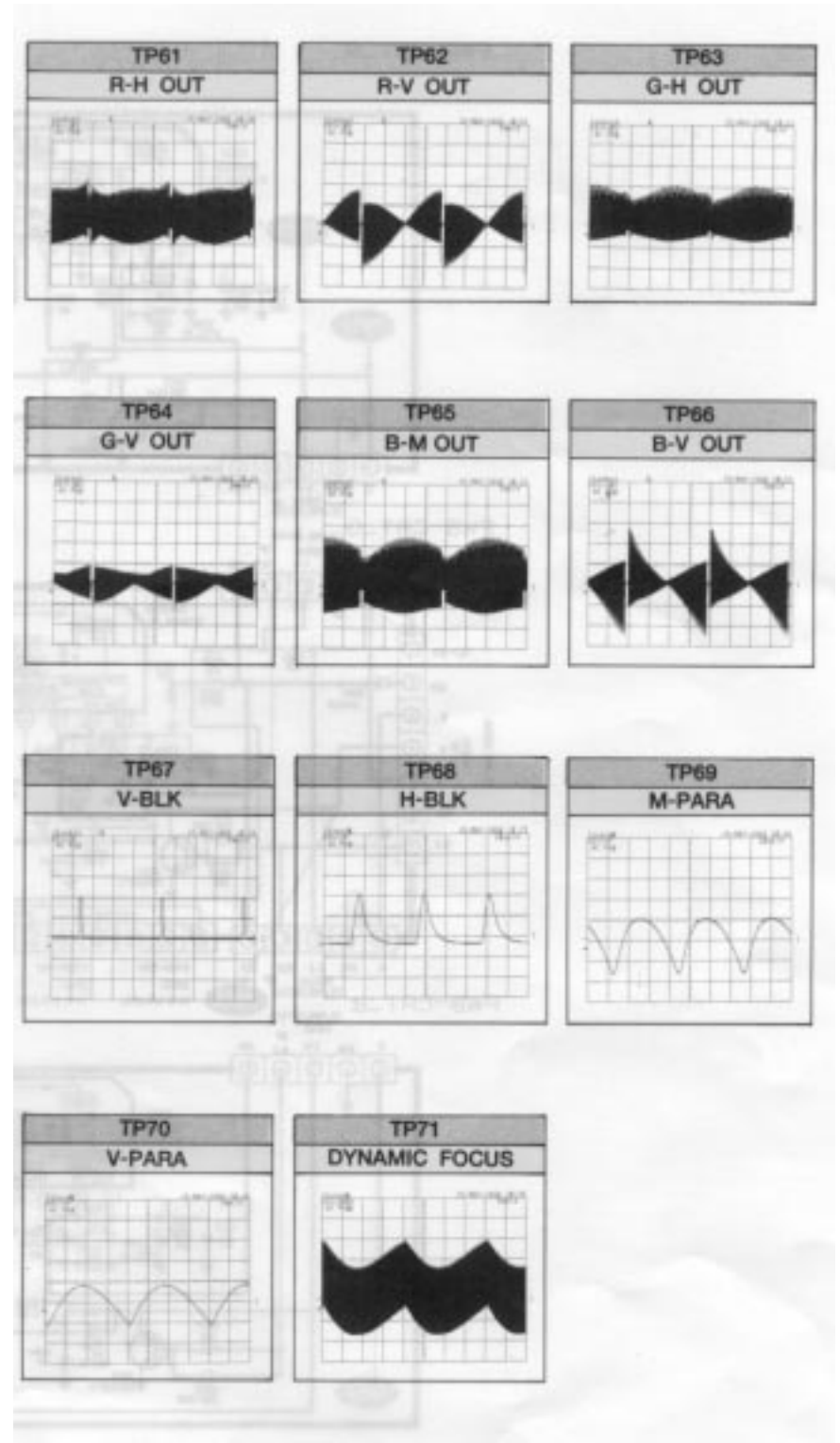
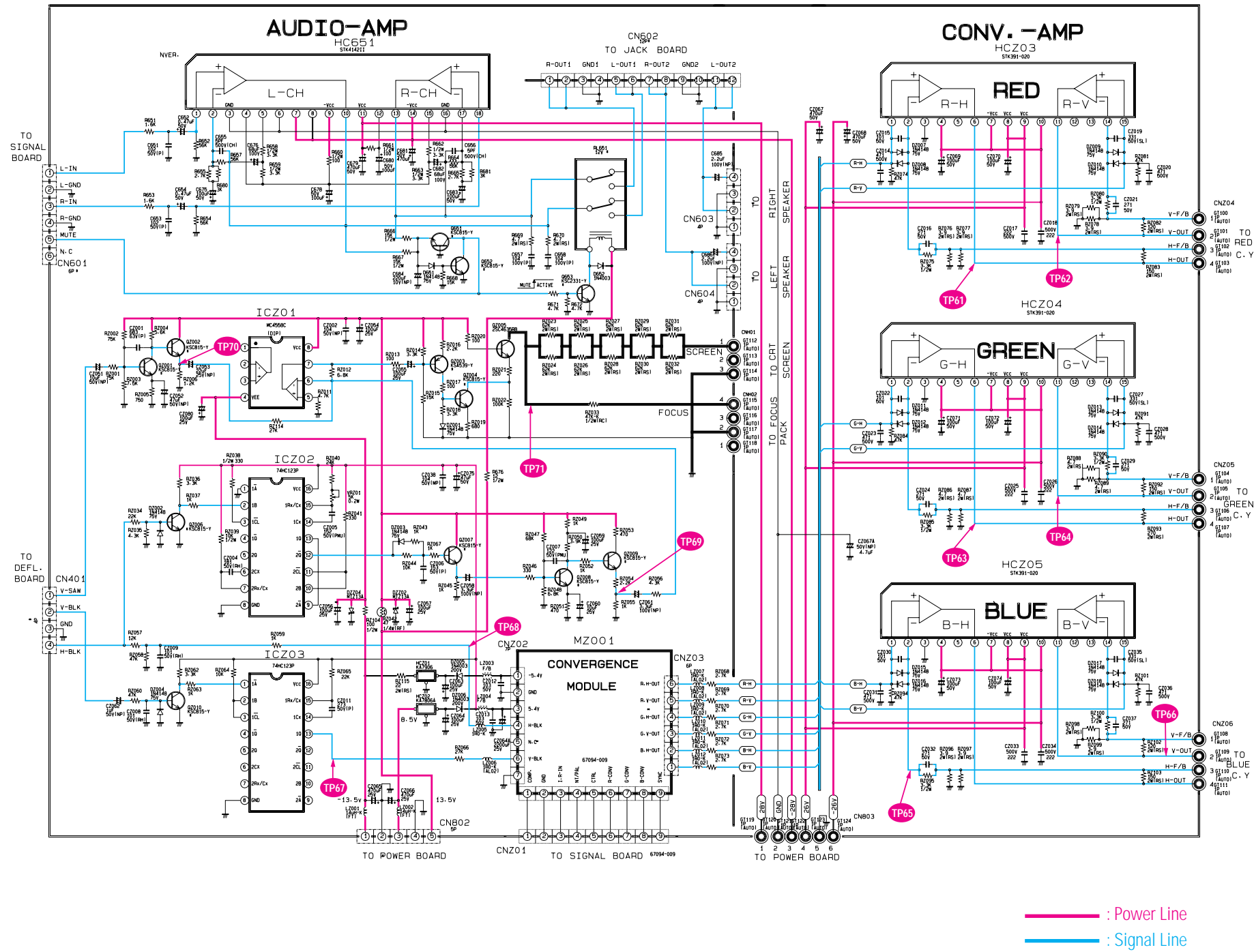
— : Power Line
 — : Signal Line

12-6 DEFL



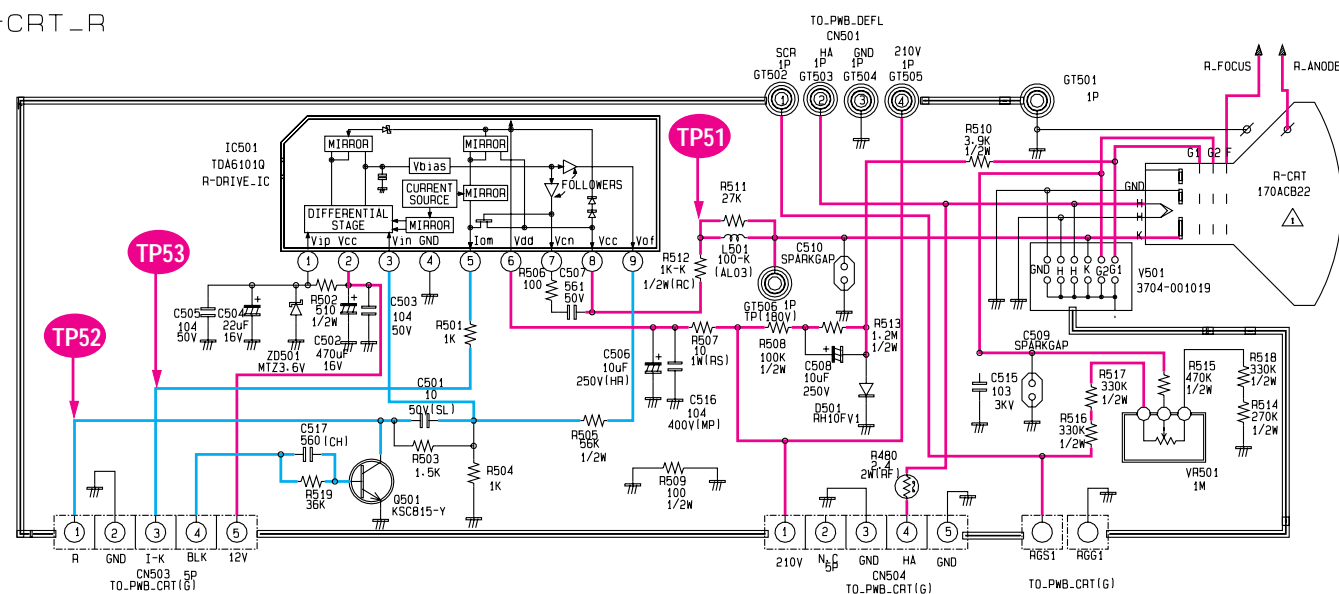
— : Power Line
 — : Signal Line

12-7 CONVER.

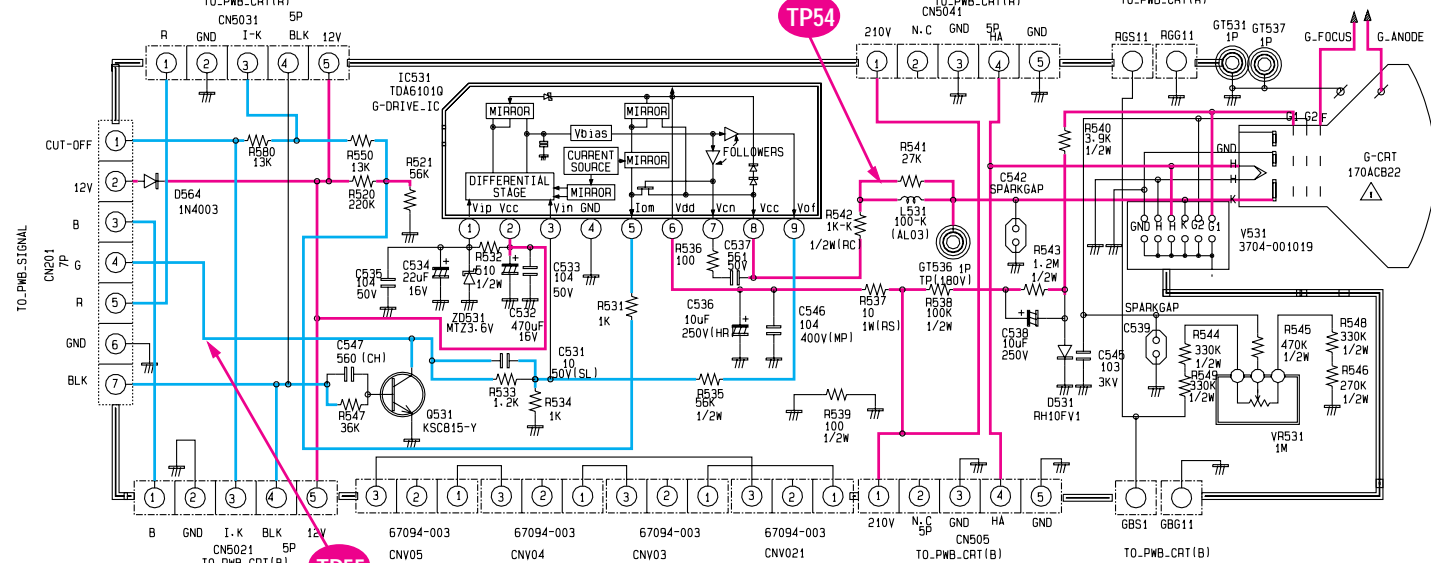


12-8 CRT

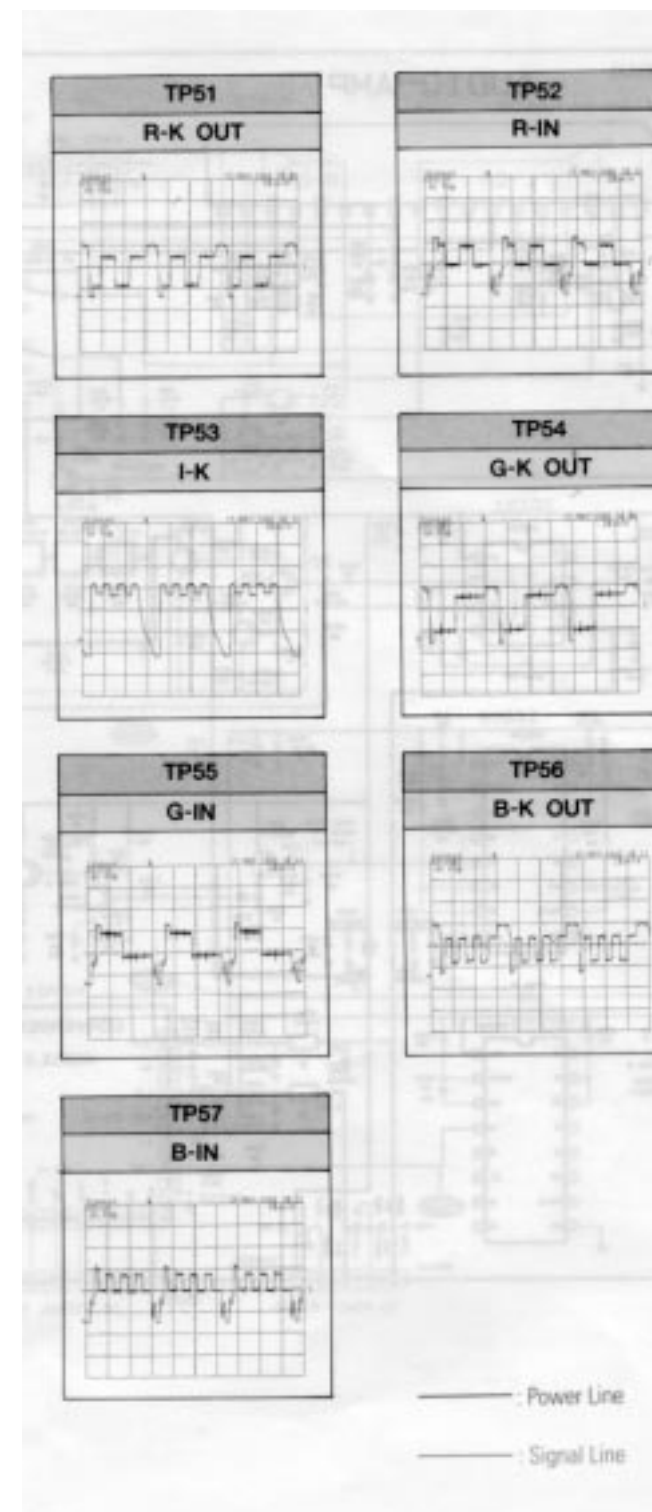
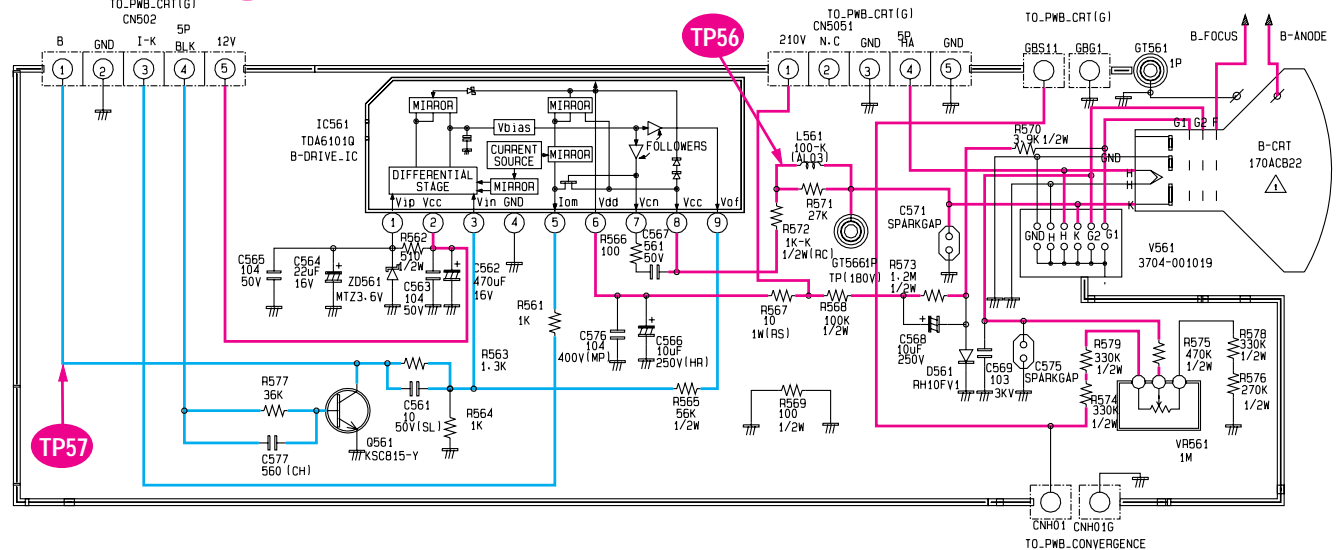
PWB-CRT_LR



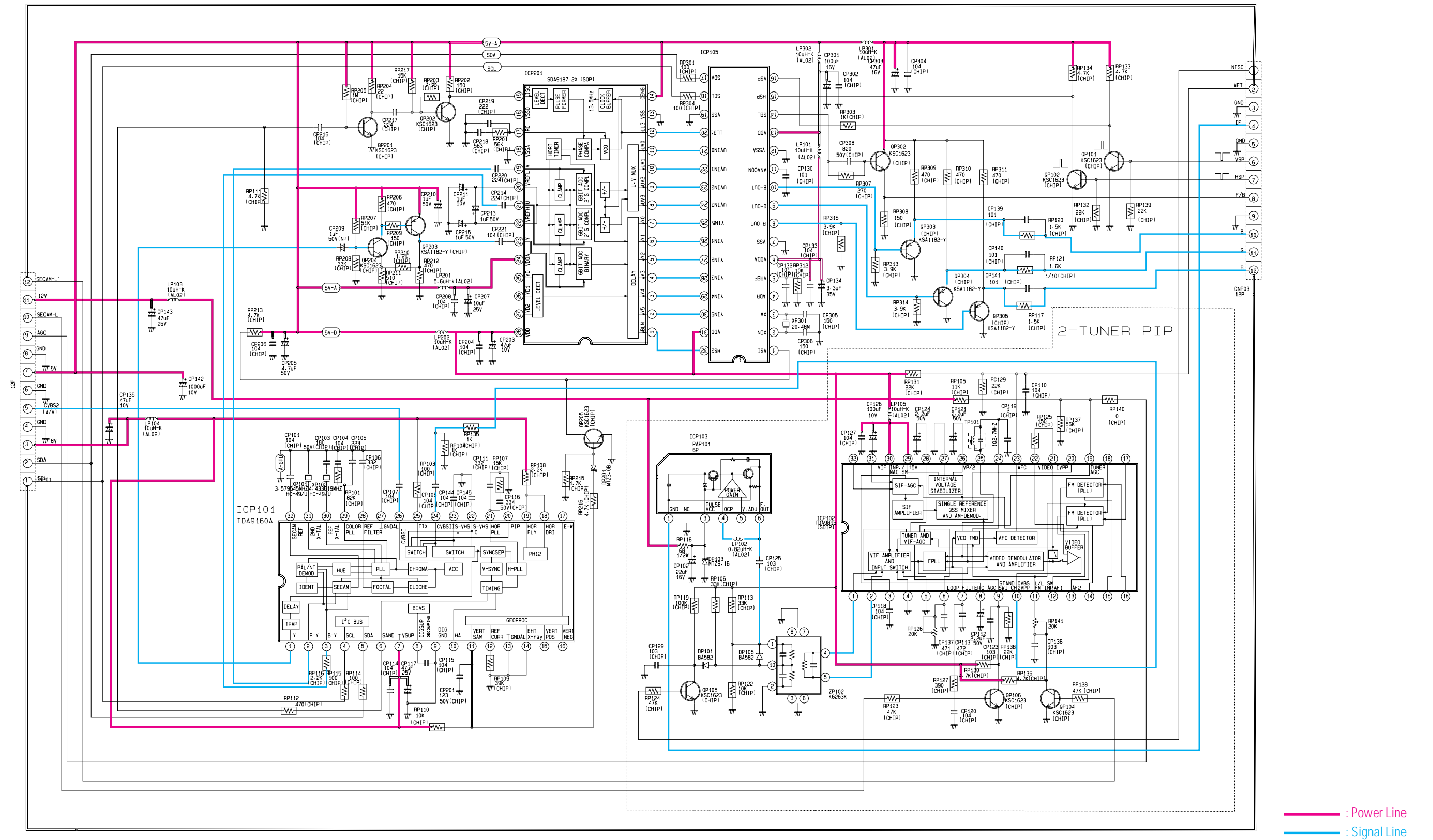
PWB-CRT_G



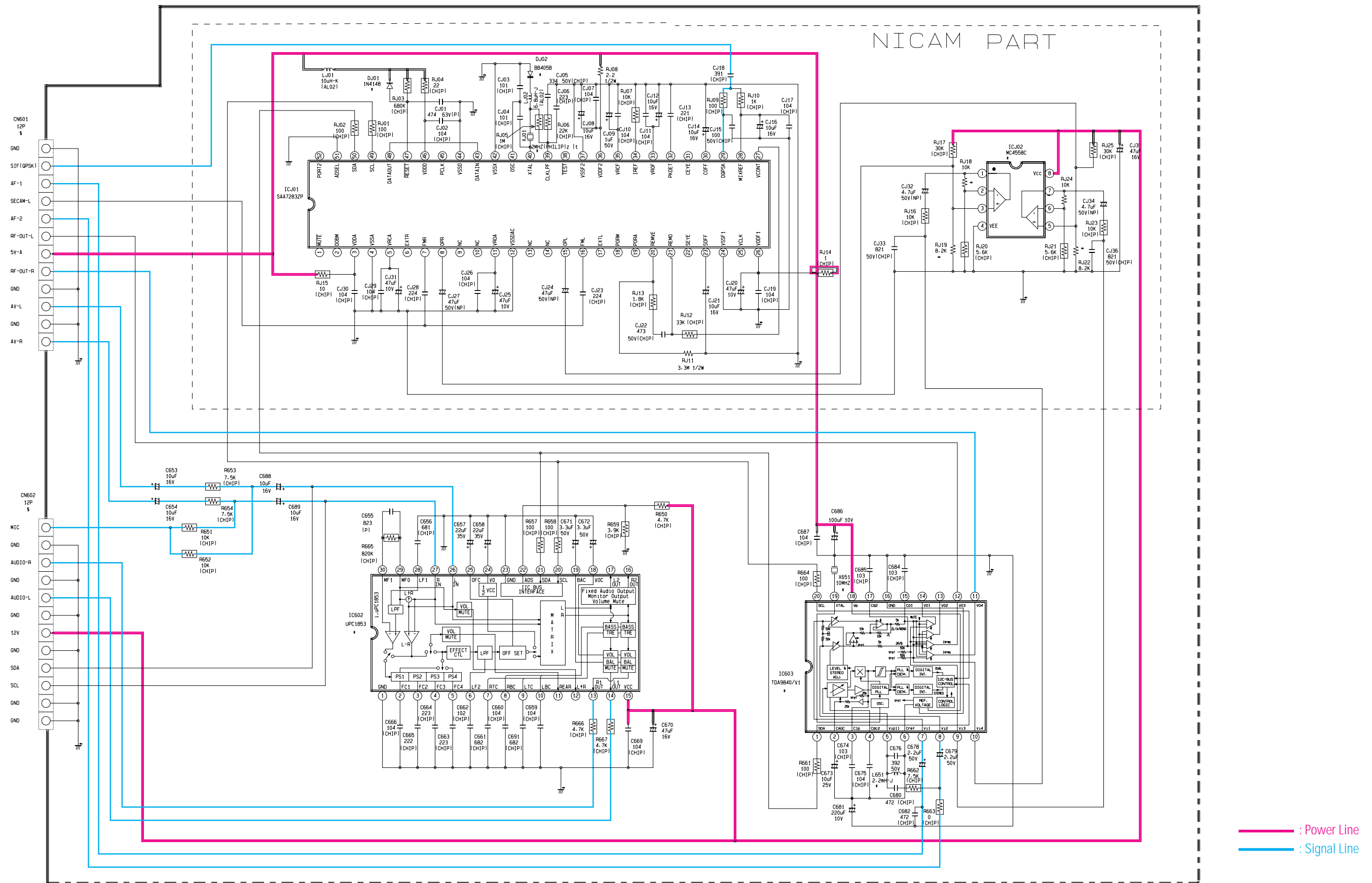
PWB-CRT_B



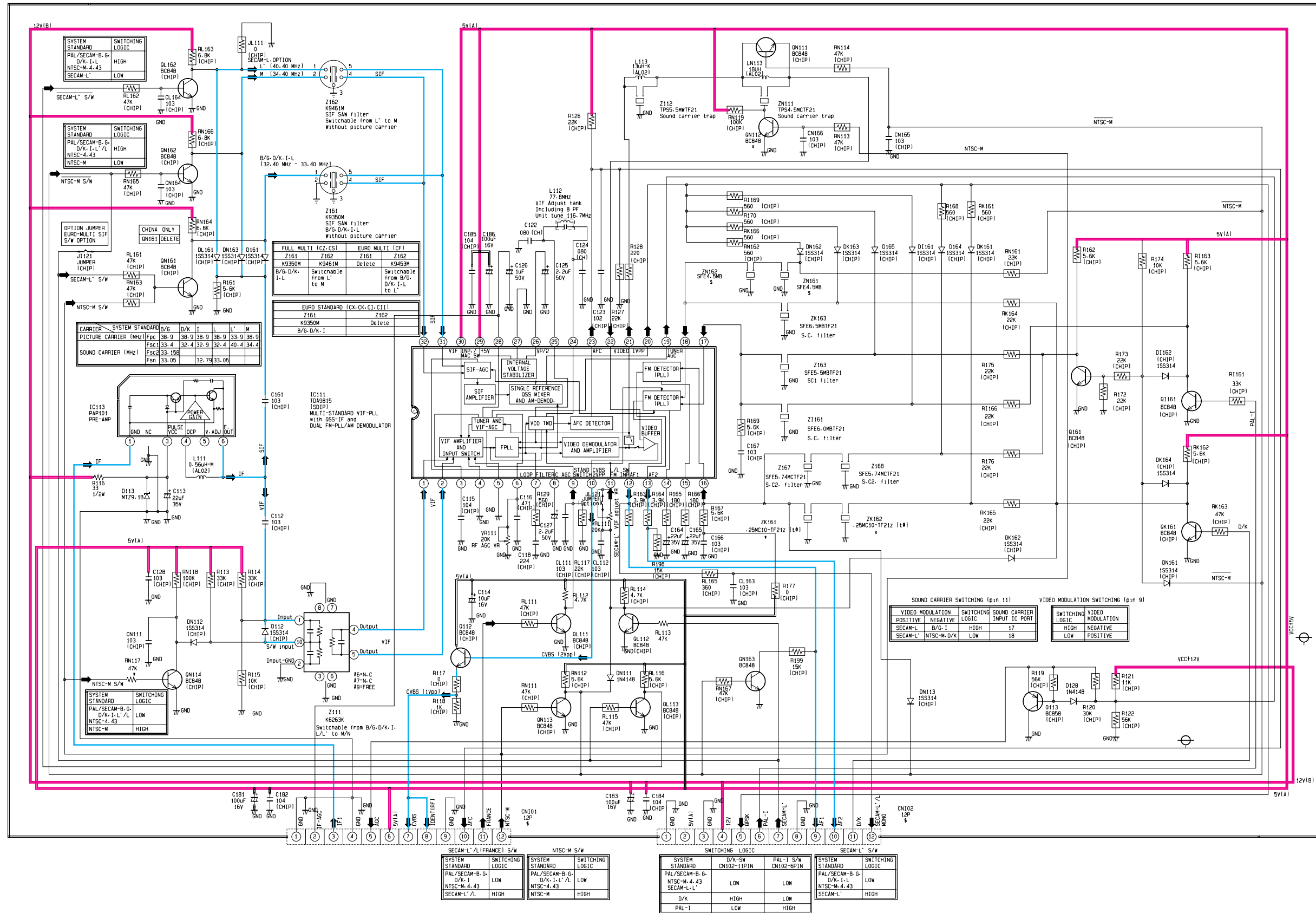
12-9 PWB-PIP



12-10 AUDIO-MODULE

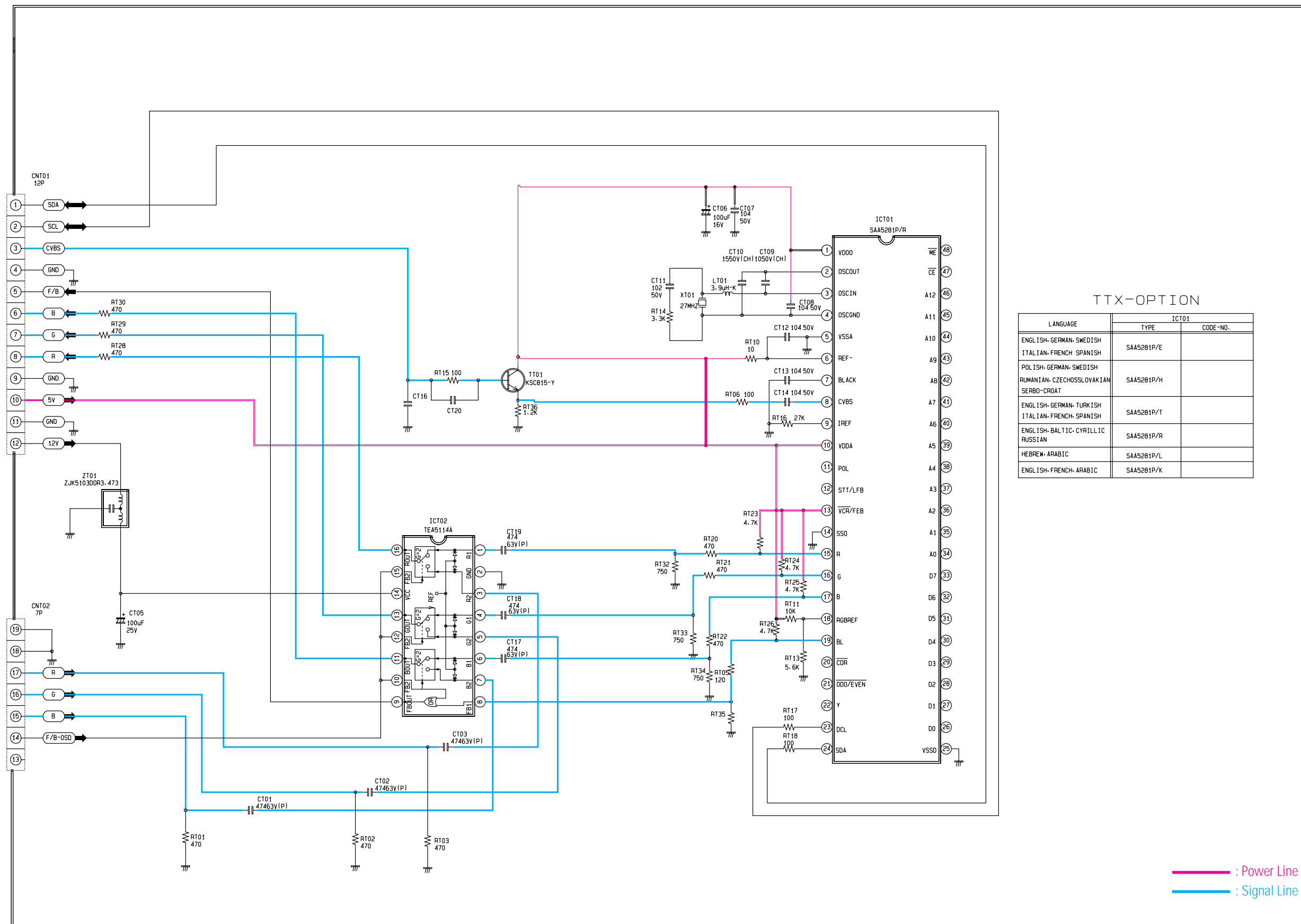


12-11 IF

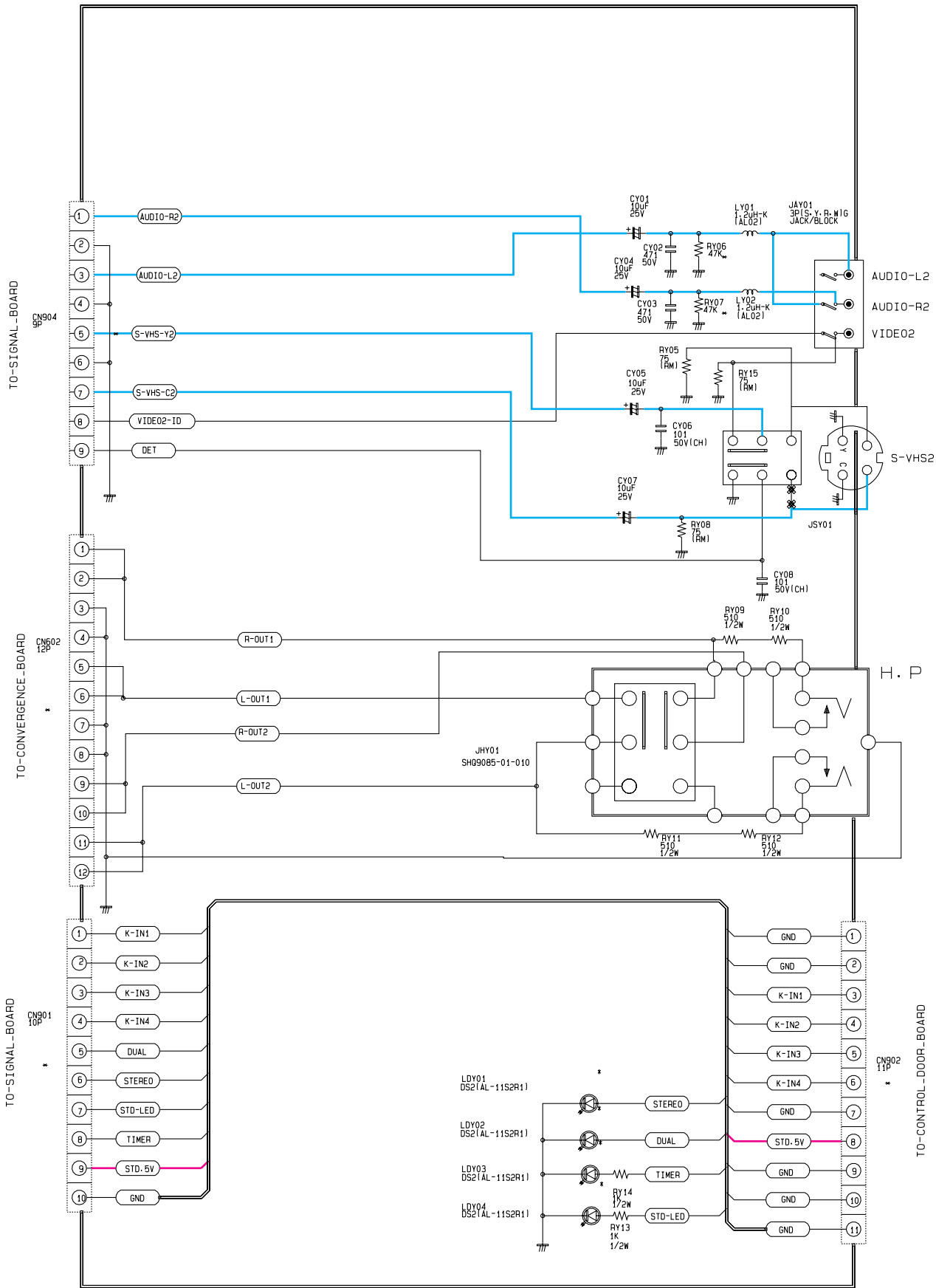


— : Power Line
— : Signal Line

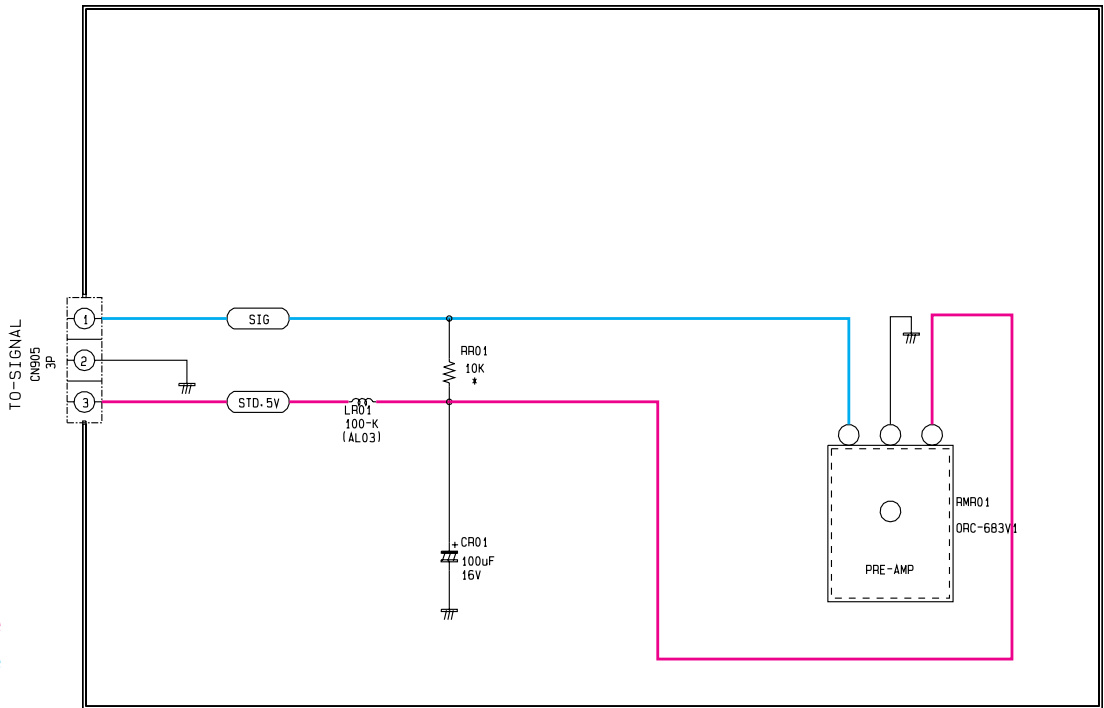
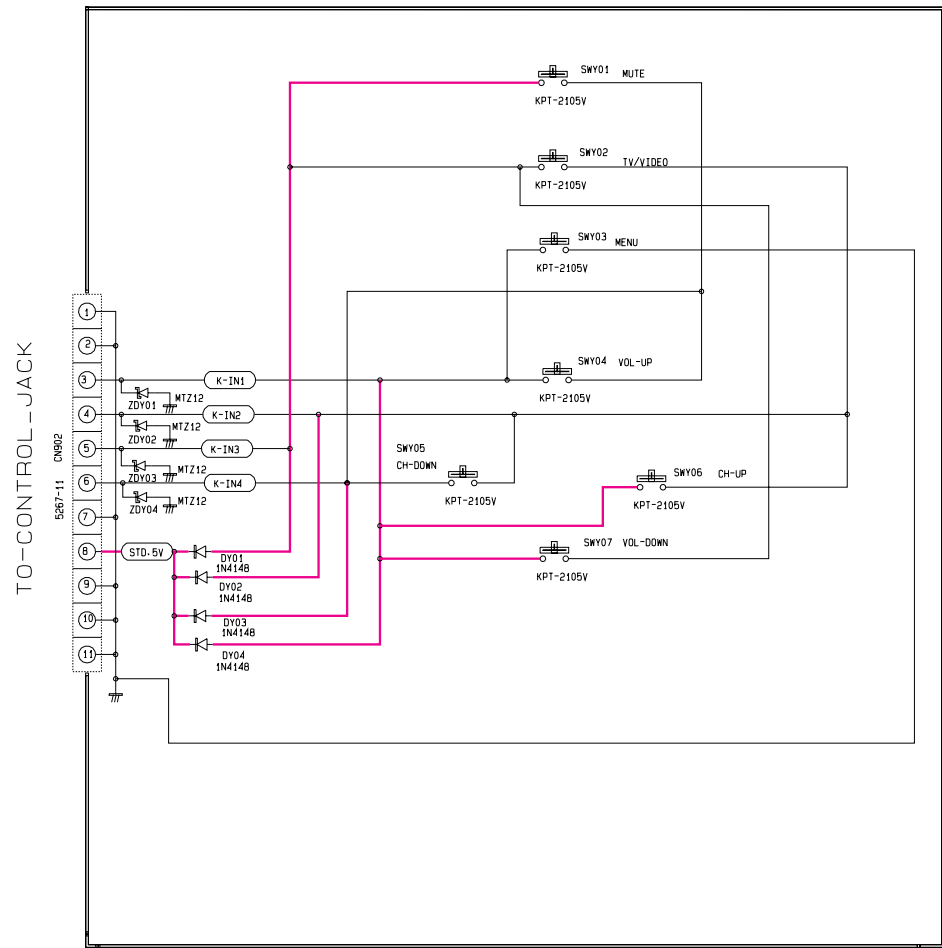
12-12 TTX



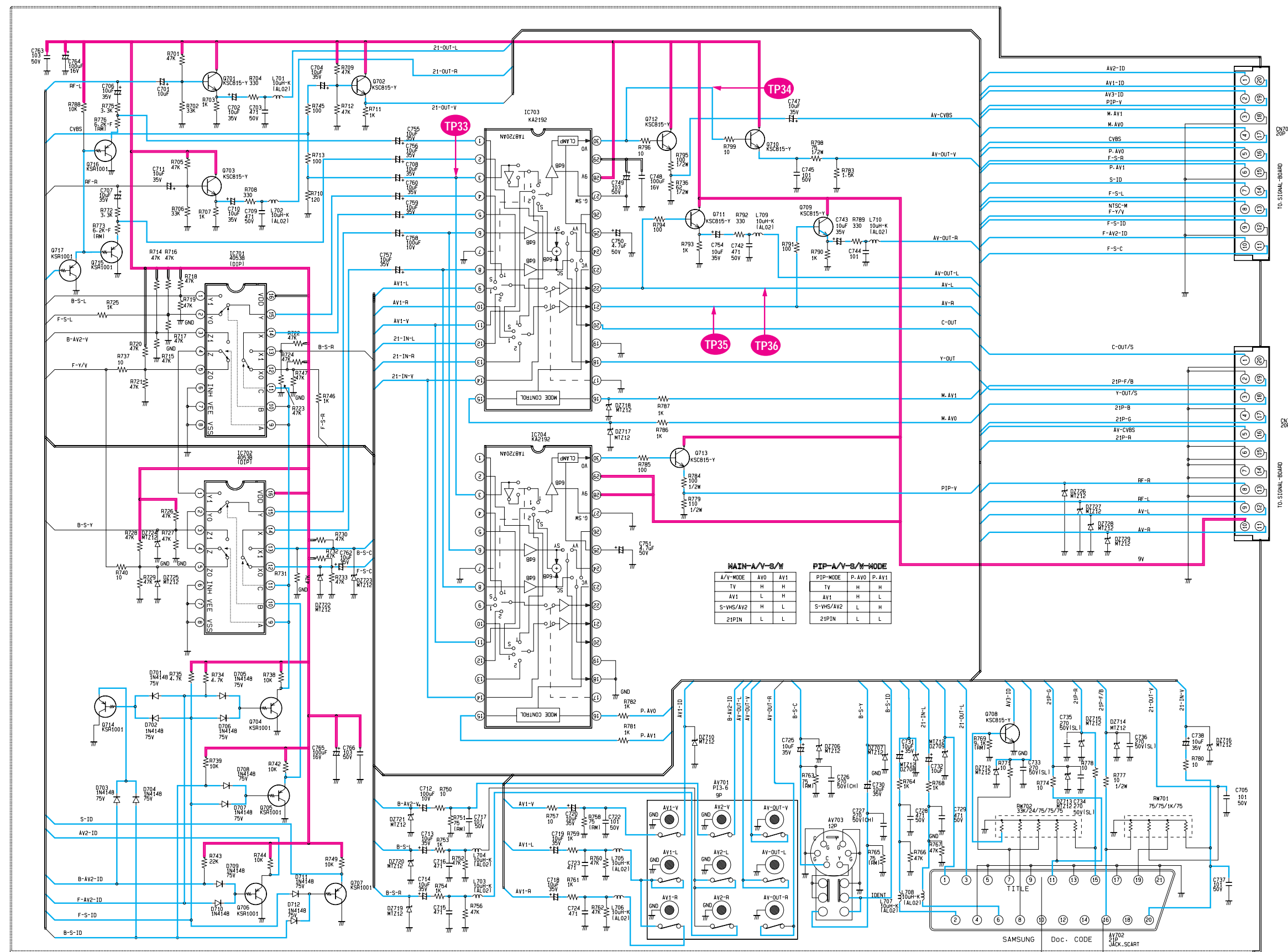
12-13 CONTROL-JACK-A, CONTROL-DOOR,PRE-AMP



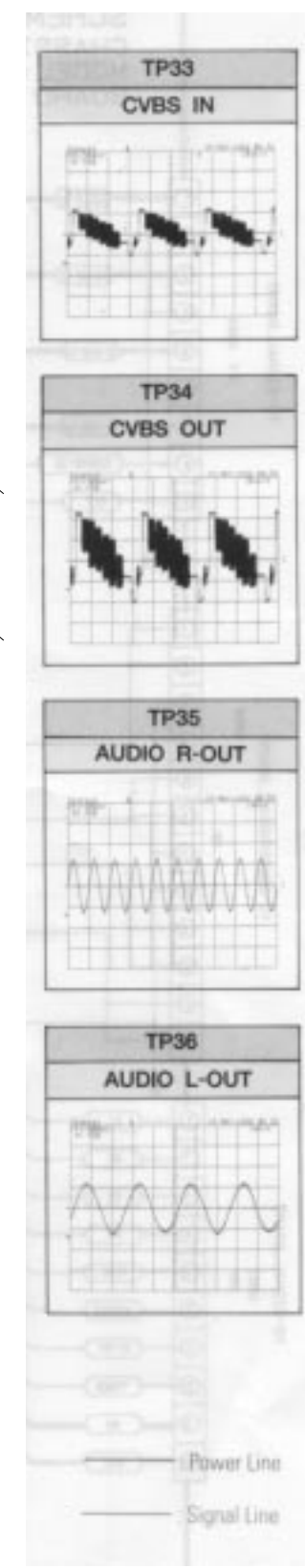
— : Power Line
— : Signal Line



12-14 A/V-SWITCHING



A/V-S/W. PART



12-15 MIC.MASTER S/W

